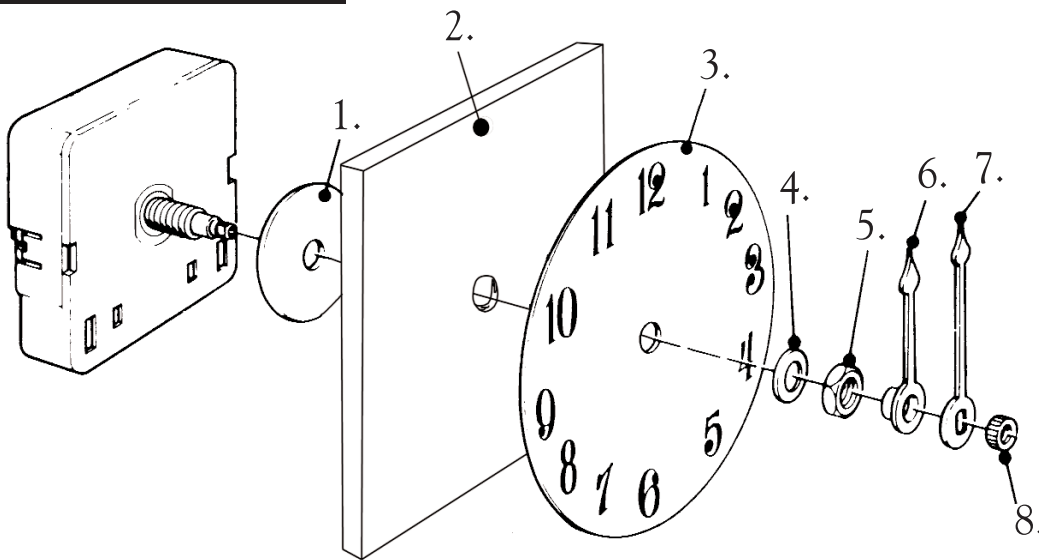


Clock Making made easy!

Our quartz clock movements offer watchmaker's accuracy and dependability. They're suitable for repair or restoration of all kinds of clocks...from mantel clocks to cuckoo clocks to simple wall clocks. Or you can create your own unique timekeeper with Walnut Hollow®'s solid wood clock faces.

Easy Assembly



Remove components from shaft!

- 1** Place rubber cushion over shaft.
- 2** Insert shaft through hole in clock surface.
- 3** Insert shaft through clock face.
- 4** Place dial plate washer over shaft.
- 5** Attach dial fixing hex nut.
- 6** Attach hour hand and press lightly.
- 7** Attach minute hand.
- 8** Lightly screw minute nut in place.

Insert a fresh battery and your clock will begin to keep time. The time can be set by turning the time-set knob on the back of the clock movement.



WALNUT HOLLOW

Dodgeville, WI 53533 USA
walnuthollow.com

X7306